

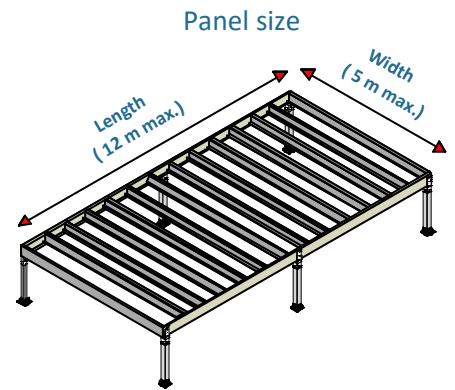
## Step-1.

### Panel sizes:

Length      Width      Quantity

STEP 1 Deck Panel sizes					
* Enter your panel sizes and number of each below.					
Note: Length is the bearer direction. Width is the joist direction.				Stump QTY Guide	
Panel Mark	Length (in metres) <small>(12.0m Max.)</small>	Width (in metres) <small>(5.0m Max.)</small>	Panel QTY (required)	Max. space (m) between stumps (centre to centre)	No. of stumps * per single bearer only.
P1	9.35	3.855	1	3.2	4
P2					
P3					
P4					
P5					
P6					
Area (m2)	36	Number or panels=	1	*Est Stumps:	4

\* Estimated number of Stumps per single bearer only. Double QTY if the deck is free standing. ( for both bearers )



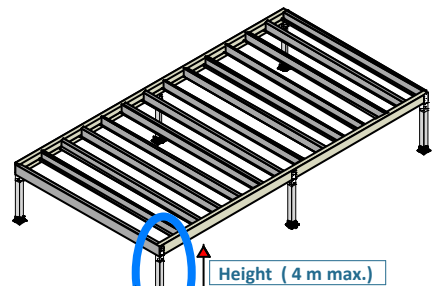
- Order as many Panels as you need, of any size needed. (Up to 12.0 m long x 5.0 m wide).
- Panels can be joined together to make almost any size or shape frame needed.

## Step-2.

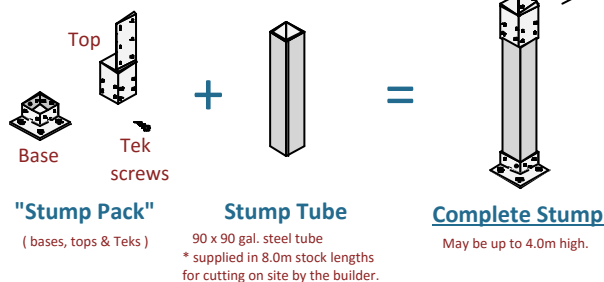
### Optional Stumps.

Ave. height      Number      Add or deduct lengths of tube, with "Plus" or "Minus" buttons.

STEP 2 Stumps (optional)			
* Enter your average Stump height & number below.			
Avg. Height (in metres)	Number of stumps QTY	Stump Tube (supplied in 8.0m lengths only, for cutting on site)	
1.2	4	Estimated number of lengths only	
		* Orders for Stumps only are delivered to Bunnings for pickup. ( Not delivered to site )	



### Stump Components.



## Stump Q. & A:

### Q. What are Stumps?

A. These are the modular, height adjustable Galvanised steel "Posts" which support your Deck frame.

### Q. Do I need Stumps?

A. Yes; these are the best way to support your Steel-Deck frame, but they are not needed if you are fixing your frame to new or existing structural walls or columns, or piers.

### Q. How far apart can I space my Stumps?

A. The "Stump QTY Guide" (in Step – 1) shows the **Max Space** between **Stumps** (or other suitable structural supports).

- Space Stumps along bearers evenly, or at any distance up to the maximum space shown.

### Q. How many Stumps do I need?

A. The "Stump QTY Guide" (in Step – 1) shows the total number of **Stumps** (or other structural supports) per Panel, FOR ONE BEARER ONLY.

(This is for applications similar to "Diagram - A" below).

- Quantities will vary depending on the size of your Deck frame and if it is fixed to any other structure.

### Q. What if my deck is fixed to an existing or new structure?

A. Refer to the following connection examples as a guide.

### Connection Examples:

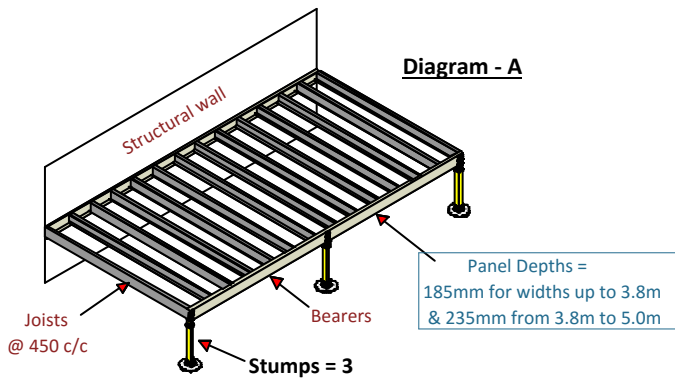
- The following **Diagrams** indicate the varying number of **Stumps** (or supports) needed with some different connection applications. (These examples are for the same size Deck frame)

A = 3 stumps.

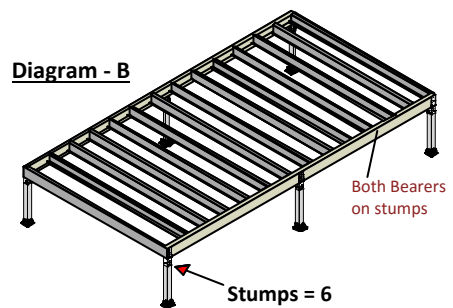
B = 6 stumps.

C = 2 stumps

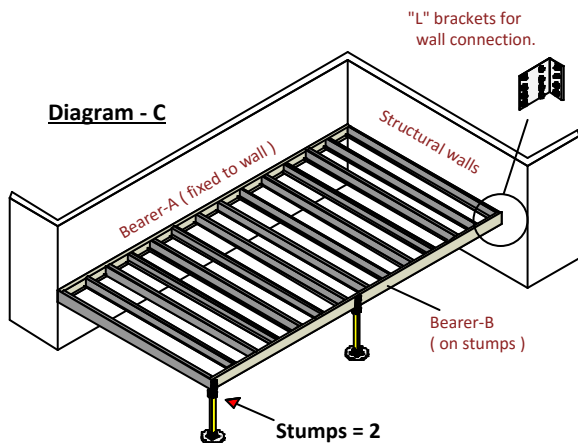
D = Piers by others



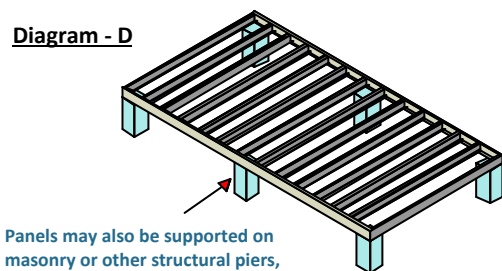
Example Deck fixed to a wall.



Free Standing deck



Deck fixed to 2 walls.



Deck frame supported on masonry piers by others.

### Step-3.

#### Print Quote.

Fill in your Contact and Delivery information.  
(This is only needed if you order the system)

STEP 3 Place your Order with Bunnings			
Customer's details			
Name: *	Bill Smith	Date:	Today
Mobile:	0404 111 222	Or Phone:	
Email: *	Bill@bigpond.com		
Delivery/site address:		My place	
Jones Town		State:	VIC <input type="checkbox"/>
* Note: If only stumps are ordered; delivery is free into Bunnings for pickup. (Not to site)		P-Code:	3456
HELP		PRINT QUOTE	

PRINT QUOTE

### Step-4.

#### Place You Order with Bunnings.

- Refer also to the Inclusions, Notes and Delivery Terms and Conditions (shown below the Online **Calculator**).
- Allow 10-15 working days for delivery to site, depending on local supply variances.

Check your details

Panel Depth (mm)

Bunnings' Item Codes

Check job details

Place your Order with Bunnings			
Customer's details			
Name: *	Bill Smith	Date:	15.03.2016
Mobile:	0404 111 222	Or Phone:	
Email: *	Bill@bigpond.com		
Delivery/site address:		My place	
Jones Town		State:	VIC
* Note: If only stumps are ordered; delivery is free into Bunnings for pickup. (Not to site)		P-Code:	3456
Floor Panel sizes			Bunnings codes
Mark	Length	Span	Qty
P1	9.350 m	3.855 m	1
P2			
P3			
P4			
P5			
P6			
Optional Stumps			Item#
Average Height of stumps =		1.2 m	
Number of "Stump Packs" =		4	(Tops, Bases & Screws) 911001
Lengths of 8.0m stump tube =		1	911002
Deck frame delivered to Site			911003
Allow 10-15 days for delivery. ( See Note - 3 ) Also refer to "Delivery Terms and Conditions".			
Optional Certification			911004
Price Estimate. ( Incl. GST ) =		\$3923	* All prices include GST.
* Note: If only stumps are ordered; delivery is free into Bunnings for pickup. (Not to site.)			
Optional letter of certification =		\$210	Prices valid for 30 days from: 15.03.2016
Total (incl. GST & opt. certification) =		\$4133	Prices may change on this site without notice.

QUOTE

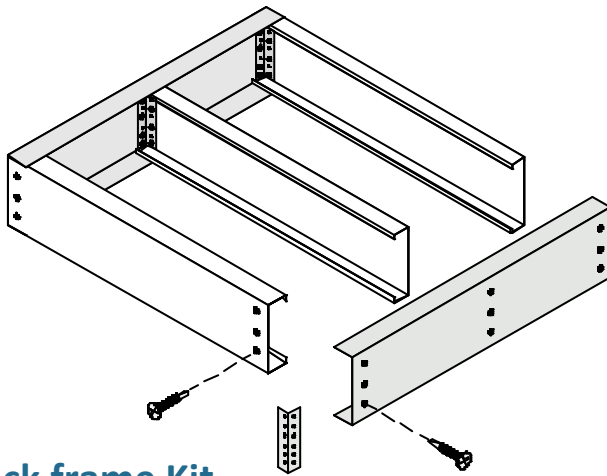
Prices include GST & standard Delivery.

## What about Custom size and shape Decks, light commercial Mezzanine floors or Granny Flats?

- Give your custom sizes, dimensioned drawings or plans to the **Special Orders** team at **Bunnings** for a **free quote**.
- Include all relevant information such as sizes, height(s) and if you are connecting to an existing structure etc.
- Allow 3-5 working days for us to do a design and to receive your **Quote** from **Bunnings**.
- Be sure to include your complete contact and job location details.

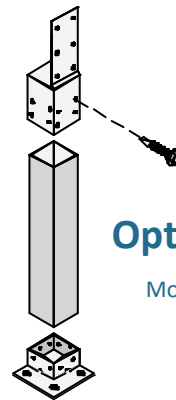


[Bunnings Store Finder](#)



### Deck frame Kit

Pre-cut, screw fixed and certified.



### Optional Stumps

Modular & Screw fixed

  
**Steel-Deck**  
By **Steel-MAX** Building Systems

Available at  
**BUNNINGS**  
warehouse